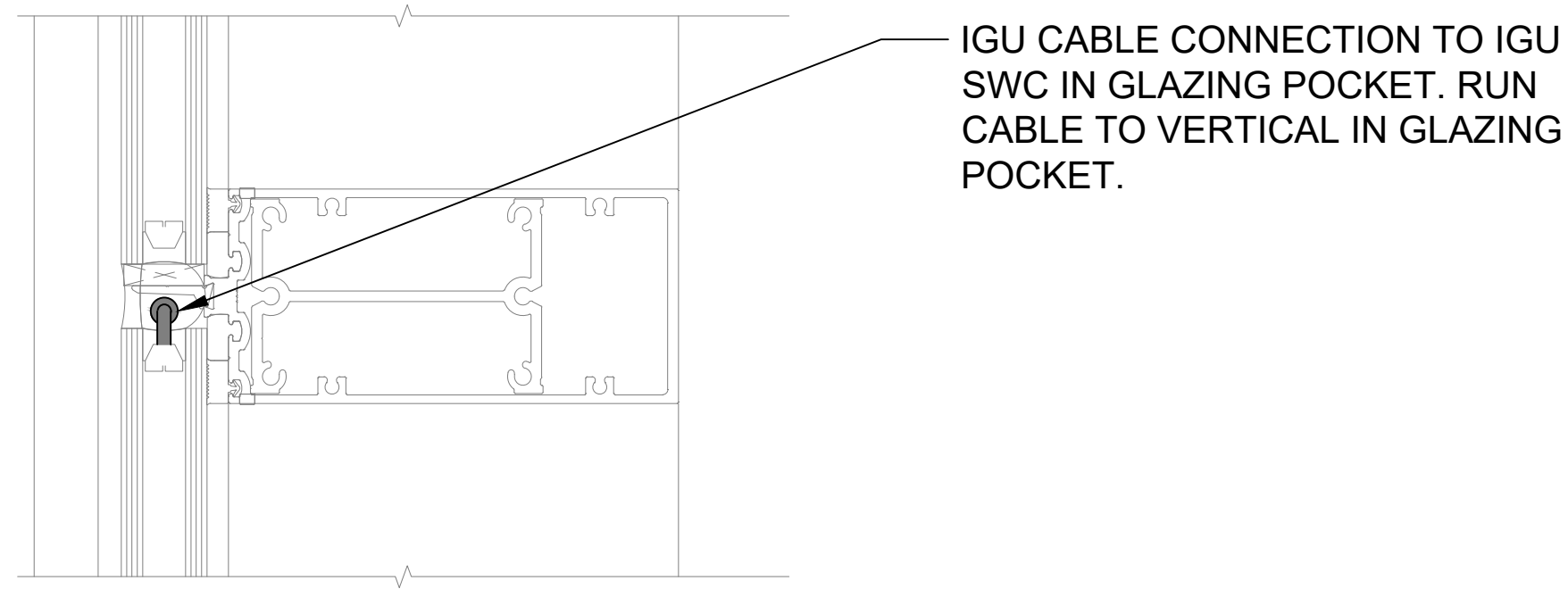


IGU CABLE CONNECTION TO IGU SWC IN GLAZING POCKET. RUN CABLE TO VERTICAL IN GLAZING POCKET.

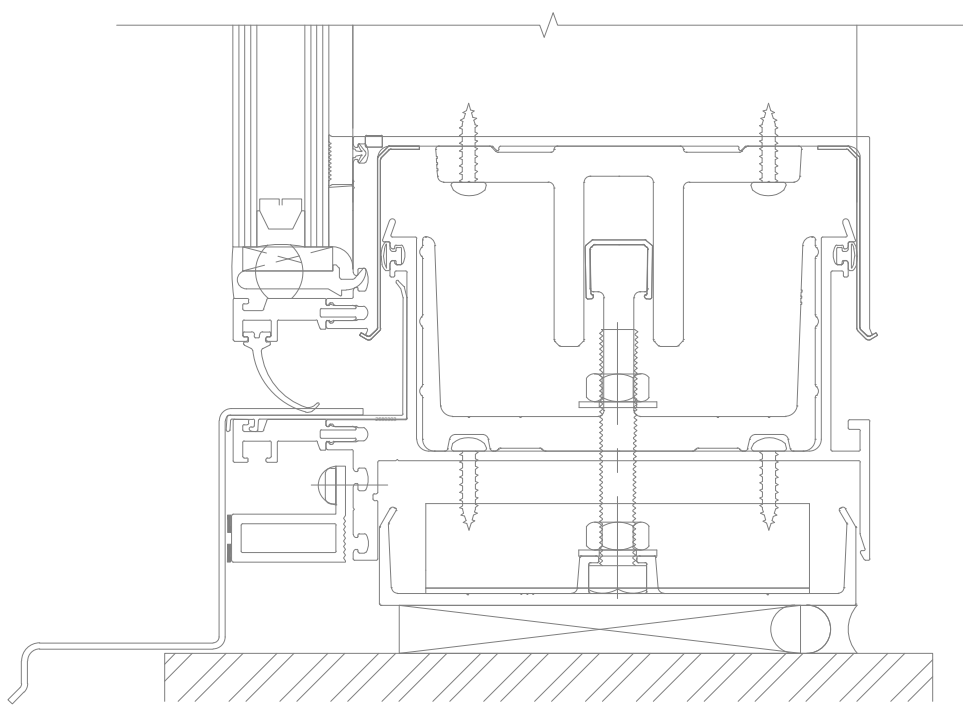
DETAIL 1
 HEAD



IGU CABLE CONNECTION TO IGU SWC IN GLAZING POCKET. RUN CABLE TO VERTICAL IN GLAZING POCKET.

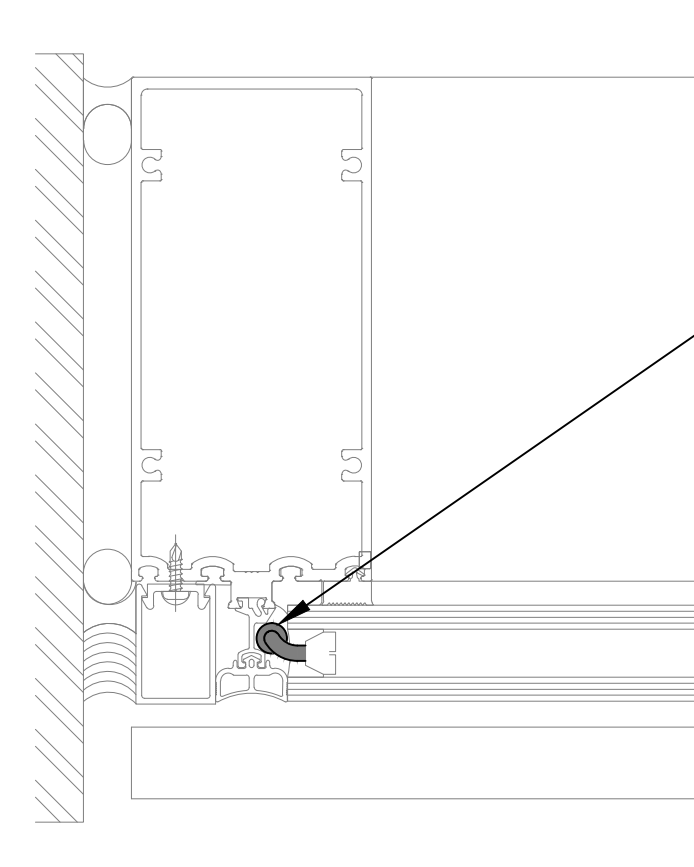
DETAIL 2
 HORIZONTAL MULLION

NO CABLE ROUTING IN SILL



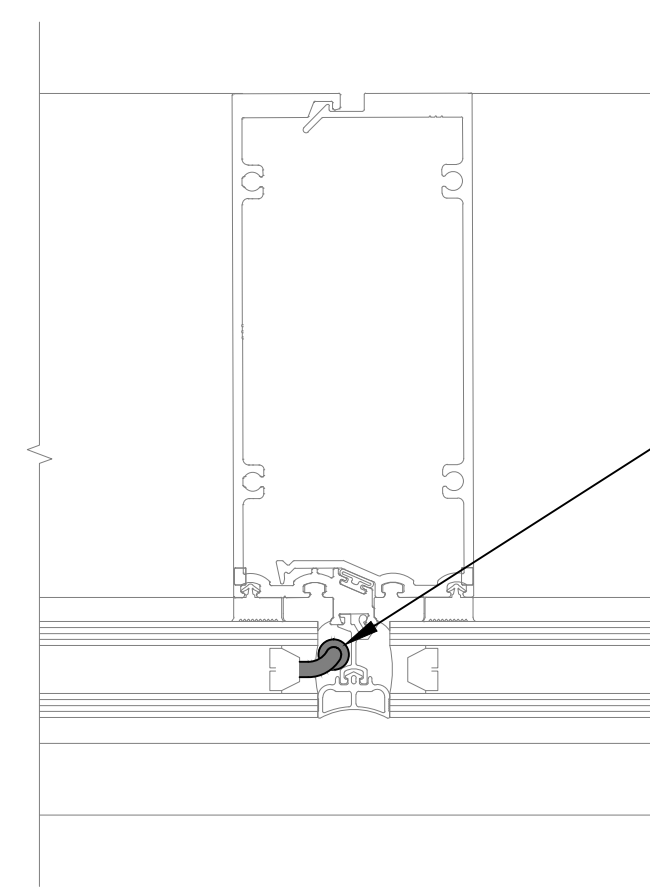
DETAIL 3
 SILL

- NOTES:
1. INSTALLER TO PROVIDE GROMMETS AT ALL FRAME PENETRATIONS WHERE POSSIBLE TO AVOID CABLE DAMAGE.
 2. INSTALLER TO LABEL IGU CABLES WITH IGU NAME TO WHICH IT IS CONNECTED.
 3. WHEN GLAZING POCKET CANNOT ACCOMMODATE IGU CONNECTOR, INCORPORATE SERVICE LOOP INTO IGU CABLING. MAKE CONNECTION TO DIGITAL AS YOU ARE GLAZING AND PUSH CONNECTOR THROUGH HOLE AND INTO MULLION.
 4. NO WIRE ROUTING IN SILL.



IGU CABLE CONNECTION TO IGU SWC IN GLAZING POCKET.

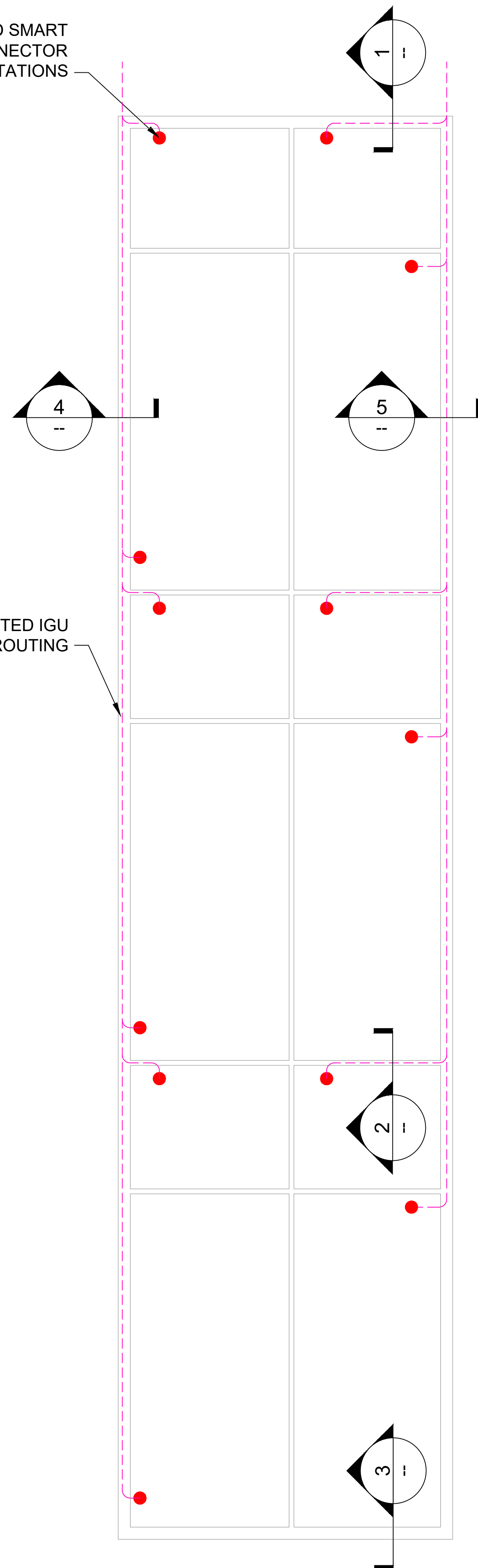
DETAIL 4
 LEFT JAMB



IGU CABLE CONNECTION TO IGU SWC IN GLAZING POCKET.

DETAIL 5
 VERTICAL MULLION

SUGGESTED SMART WINDOW CONNECTOR (SWC) ORIENTATIONS



SUGGESTED IGU CABLE ROUTING

TYPICAL ELEVATION
 SCALE: NONE